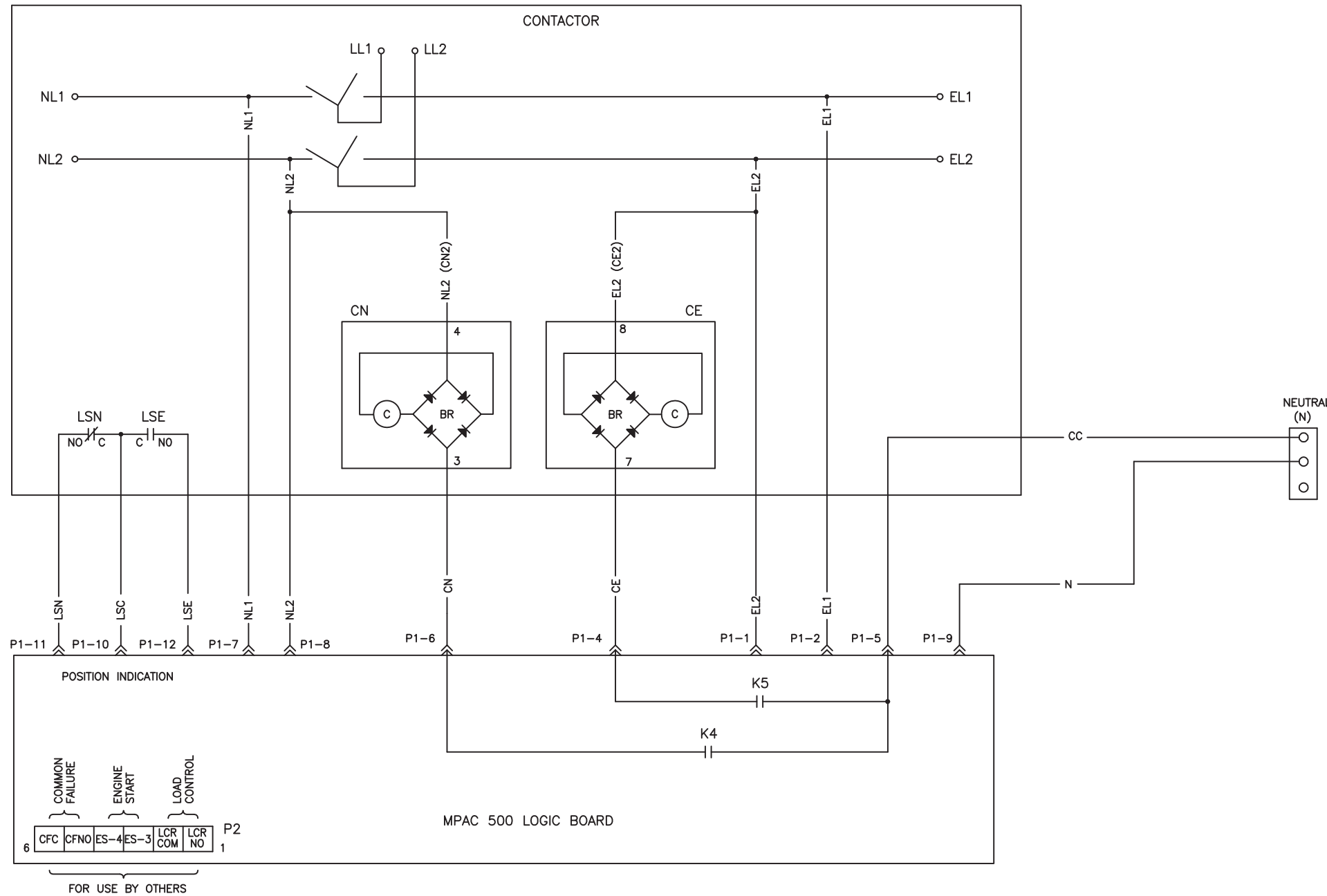


REV	DATE	REVISION	BY
B	10-7-04	(C-3) GROUND REMOVED (2 PLACES) NEUTRAL LUG ADDED LEADS "CC" & "N" RE-ROUTED TO NEUTRAL LUG [73528]	DFS
C	10-28-04	GENERIC TITLE BLOCK ADDED [73612]	DFS
D	4-1-05	(B-7,-8) P2: PIN 1 & 6 DESIGNATORS ADDED, "COMMON FAILURE" TERMINAL FUNCTION MOVED FROM PINS 1 & 2 TO PINS 5 & 6, "LOAD CONTROL" TERMINAL FUNCTION MOVED FROM PINS 5 & 6 TO PINS 1 & 2, TERMINAL DESCRIPTIONS REVISED [74777]	DFS



**LEGEND**

- BR BRIDGE RECTIFIER
- C COIL
- CE TRANSFER COIL (EMERGENCY TRANSFER)
- CN TRANSFER COIL (NORMAL TRANSFER)
- K4 NORMAL RELAY CONTACTS
- K5 EMERGENCY RELAY CONTACTS
- LSE LIMITS SWITCH EMERGENCY CONTACTS
- LSN LIMIT SWITCH NORMAL CONTACTS
- P1 CONNECTOR

**NOTE:**

1. ENGINE START CONTACTS ES1 & ES2 RATED 30 VOLT, 1 AMP. WIRING PROVIDED BY OTHERS.
2. CONTACTOR SHOWN IN NORMAL WITH NO POWER APPLIED.
3. FOR WIRING DIAGRAM SEE GM34465.

UNLESS OTHERWISE SPECIFIED - 1) DIMENSIONS ARE IN INCHES 2) TOLERANCES ARE: DIMS ± .010 ANGLES ± 1/2° DIMS ± .030 SURFACE FINISH X ± .080 ✓ MAX. FRACTIONS ±		<b>KOHLER CO.</b> POWER SYSTEMS, KOHLER, WI 53044 U.S.A. THIS DRAWING, IN DESIGN AND DETAIL, IS KOHLER CO. PROPERTY AND MUST NOT BE USED EXCEPT IN CONNECTION WITH KOHLER CO. WORK. ALL RIGHTS OF DESIGN OR INVENTION ARE RESERVED.	
APPROVALS DRAWN DFS 7-14-04 CHECKED JS 7-15-04 APPROVED JS 7-15-04		TITLE <b>DIAGRAM, SCHEMATIC</b>	
SCALE /// SHEET 1-1		CDR. NO. GM34466.DWG DWG. NO. <b>GM34466</b>	

MPAC 500  
100-200A